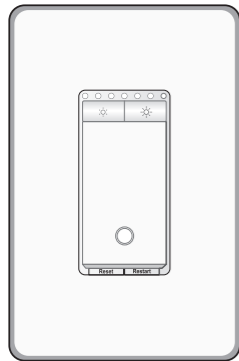


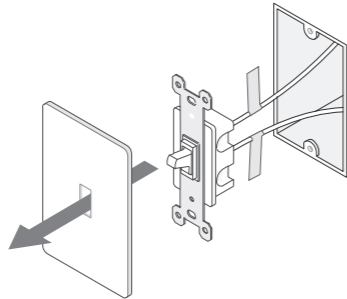
## Product Introduction

Tapo smart dimmer switch turns on and dims the lights automatically, saving you effort and electricity bills.



## Wire Your Switch

- 1) **Turn off** the circuit breaker. Then remove the old wallplate of the wall switch and label the **Ground** and **Neutral** wires.



**Ground:** Usually green or copper.

**Neutral:** Usually white and not connected to the dumb switch.

**Line:** Usually black and coming from the circuit breaker.

**Load:** Usually black. One end is connected to the light.

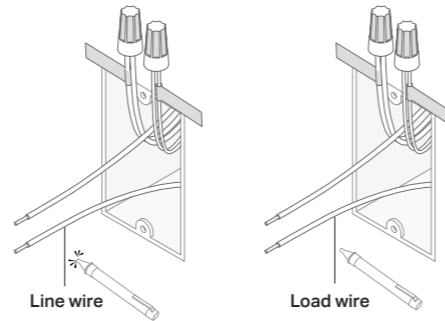
If you are unsure, consult a qualified electrician.

- 2) Disconnect the wires from the old switch.

- 3) Identify **Line** and **Load** wires.

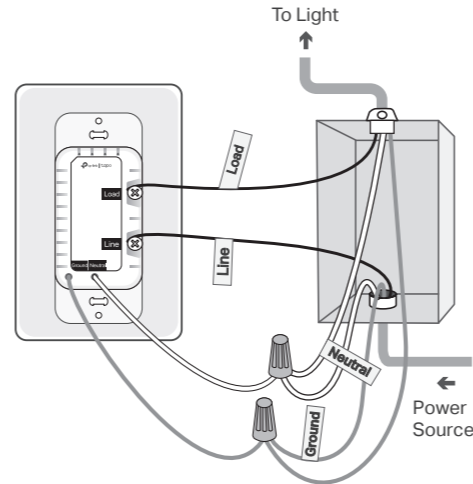
- 1) **Turn on** the circuit breaker. Use a voltage detector to identify the energized wire (**Line wire**).

⚠ Take care to avoid electric shocks.

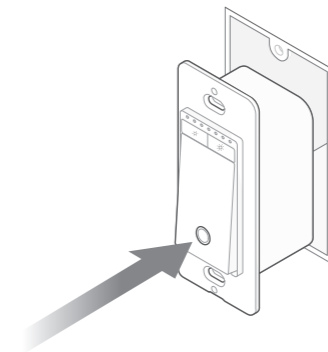


- 2) **Turn off** the circuit breaker. Label the **Line** and **Load** wires.

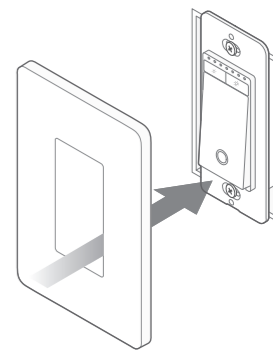
- 4) Connect the wires to the smart dimmer switch as shown below.



- 5) Line up the switch with the mounting holes. Secure it with screws.



- 6) Attach the wallplate and turn on the circuit breaker. Then the wiring is finished.



## Set Up Your Switch

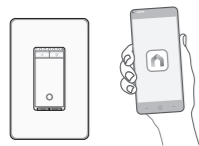
### STEP 1 DOWNLOAD APP

Get the **Tapo** app from the App Store or Google Play.

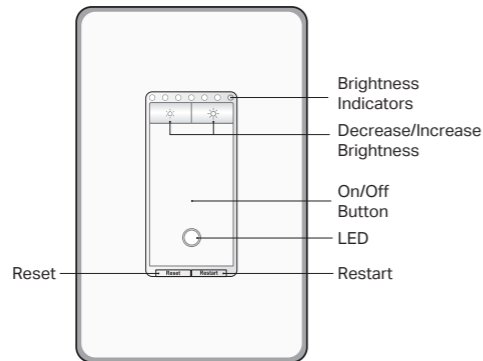


### STEP 2 SET UP

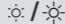
Tap the **+** button in the app. Select **Switches** and then your model. Follow the step-by-step app instructions to set up your smart switch.



## Appearance



## Button Explanations

	Decrease or increase the brightness.
Reset	Press and hold for about <b>5s</b> to reset Wi-Fi while keeping other settings. Press and hold for about <b>10s</b> to restore your switch to factory default settings.
Restart	Press to restart your switch.

## LED Status

Solid amber	Starting up; disconnected from cloud.
Blinking amber & green	Ready for setup.
Blinking green	Connecting to Wi-Fi.
Stay green for 30s	Connected to Wi-Fi.
Solid red	Disconnected from Wi-Fi.
Blinking amber	Device resetting.
White	Light fixture is off.
Blinking green slowly	Firmware upgrading.

## Specifications

Rating: 120 V~ 60 Hz  
Load: 300 W Incandescent, 150 W LED  
Operation temperature: 0~40 °C  
Method of mounting included: Independently mounted (Vertically position only);  
Operating control, Type 1 action  
Pollution Degree 2, Rated Impulse Voltage 2500 V  
Software Class A, NEMA Type 1.Y

## CAUTION

High Voltage-Disconnect power supply before servicing

## MISE EN GARDE

Haute tension. Débrancher l'alimentation électrique avant d'utiliser

### Safety Notice

Before installing, servicing or removing the switch, read and follow all safety precautions including the following:

- CAUTION – Risk of Electric Shock – More than one disconnect switch may be required to de-energize the equipment before servicing. A circuit breaker which disconnects the Line and Neutral conductor simultaneously is suitable. Ensure power is off at the circuit breaker before removing or installing any switch. Use a non-contact voltage tester to ensure the power is off.
- The Smart Switch must be installed and used in accordance with the National Electric Code (NEC) or your local electrical code. If you are unfamiliar with these codes and requirements, or are uncomfortable performing the installation, consult a qualified electrician.
- Do not install the Smart Switch with wet hands or when standing on wet or damp surfaces.
- Install only in a suitable UL Listed outlet box (suitable dimensions: H > 2.95 in./75 mm, W > 1.81 in./46 mm, D > 2 in./51 mm).
- Tighten terminal screws to 13 lbf-in.



## Need some help?

Visit [www.tp-link.com/support](http://www.tp-link.com/support)

for technical support, user guides, FAQs, warranty and more information.

## Quick Start Guide

Smart Wi-Fi Dimmer Switch